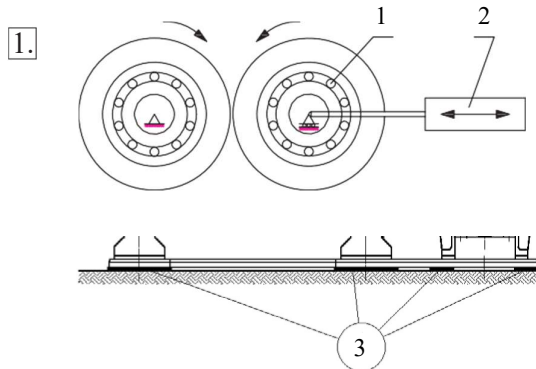
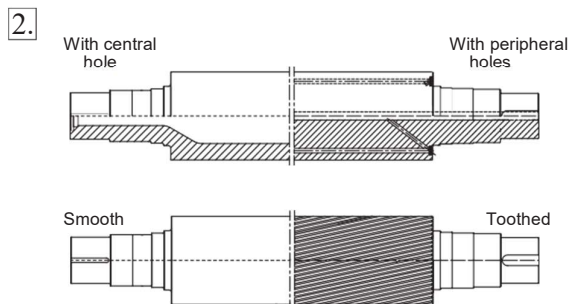


## MODERNIZATION OF EXISTING TWO ROLLERS

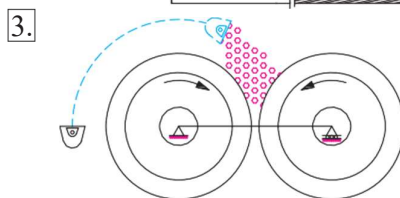
Types:



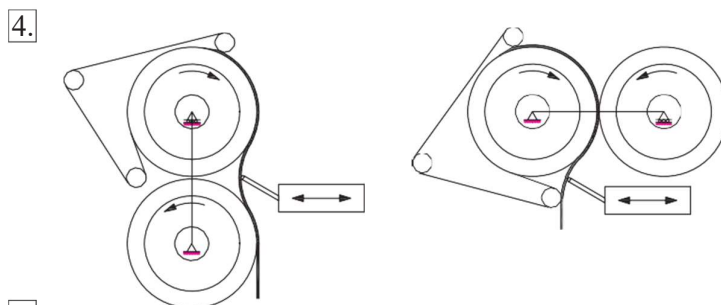
1. Installation of roller bearings,
2. EM displacement,
3. Elastic support.



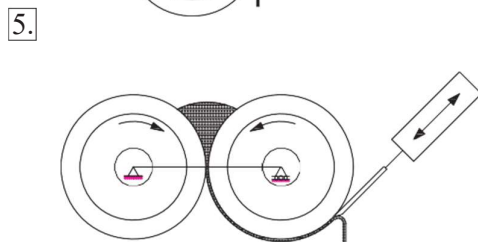
Manufacturing of different shapes two-roll mills.



Automatic feeding.



Turnover of gunpowder panel.



Automatic removal of gunpowder panel.

6. Automation management.
7. Other: miscellaneous, by your request.